



GRIDIRON 36

Camp Chef has been known for having one of the best griddles on the market. The new GRIDIRON 36 builds upon the quality of the past, but adds some new innovation to create an even better experience.

- 36" x 21" seasoned griddle
(616 sq. in. total cooking surface)
- Griddle leveling system
- Electric, Flamethrower ignition
- Four 12,000 BTU stainless steel burners
(48,000 BTU total output)
- Dual walled, reinforced lid
- Easy-clean grease management system
with large grease bucket
- Large side shelves
- Four caster wheels
- Weight: 150 lbs
- Box dims: 43.5" x 27" x 20.1"

MODEL: FTG36 | 0-33246-2224-0



WHAT MAKES ONE FLAT TOP BETTER THAN ANOTHER?

You may think that a griddle is just a griddle, but once you start using one you'll quickly notice that not all griddles are created equal.

Camp Chef has been known for having one of the best griddles on the market. The new GRIDIRON 36 builds upon the quality of the past, but adds some new innovation to create an even better experience.

Whether you are flipping pancakes and eggs or smashing some greasy burgers you'll be able to enjoy the even heat and easy clean up with the the grease trough and grease bucket.

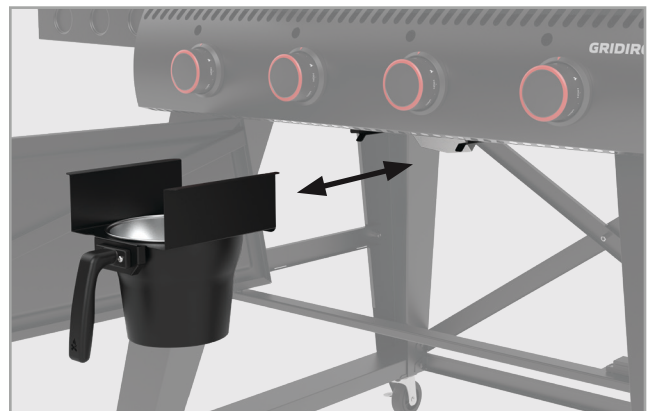


NEW FEATURES & BENEFITS:



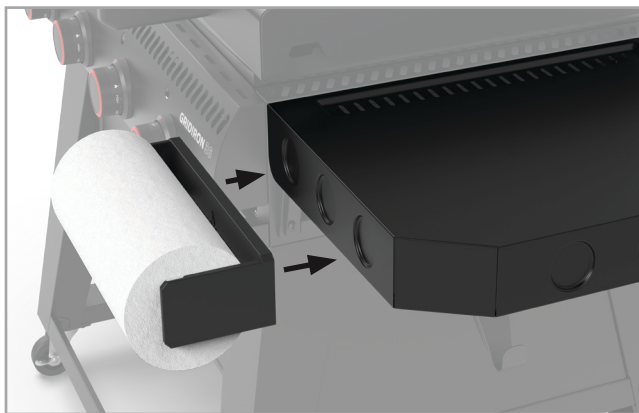
1. GREASE TROUGH:

Large, centrally located hole allows grease and particles to easily drain away from food off the front of the griddle.



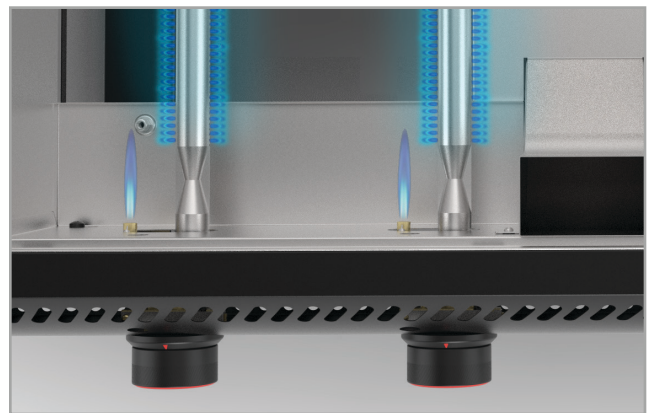
2. GREASE CHUTE AND BUCKET:

Collect all the grease and particles in a large, easy-to-clean bucket. Use liners to make it even easier.



3. MAGNETIC ACCESSORY SYSTEM:

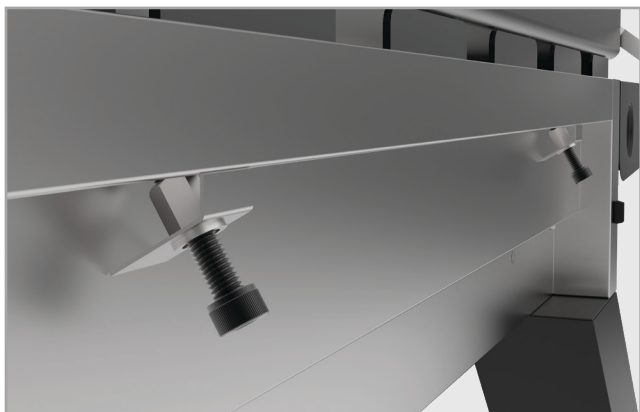
Customize your griddle shelves to organize griddle tools, paper towels, or sauce bottles.



4. FLAMETHROWER IGNITION:

Easy and reliable electric ignition for a seamless start-up.

ADDITIONAL FEATURES



1. GRIDDLE LEVELER:

Adjust the griddle, even when hot, with the two bolts located on the back of grill.



3. FOLDING SIDE SHELVES:

Oversized shelves fold down and are removable for storage or transportation.



2. SPATULA NOTCH:

Keep your greasy spatula on the griddle. The notches on the side of the griddle allow the lid to be closed with the spatula handle sticking out the side.